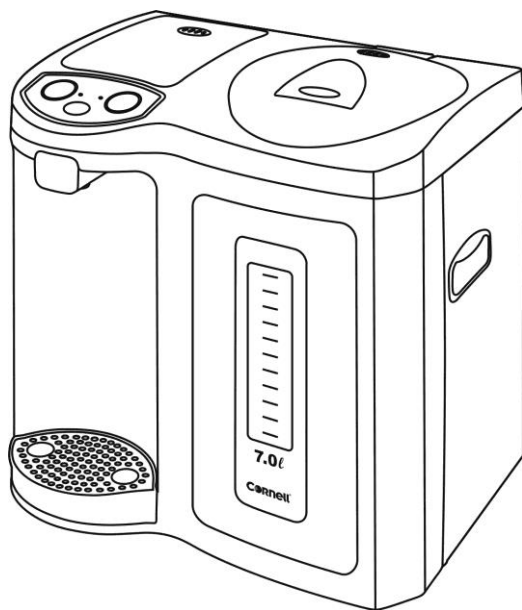


CORNEll[®]

User Manual

BILINGUAL
双语



WATER DISPENSER

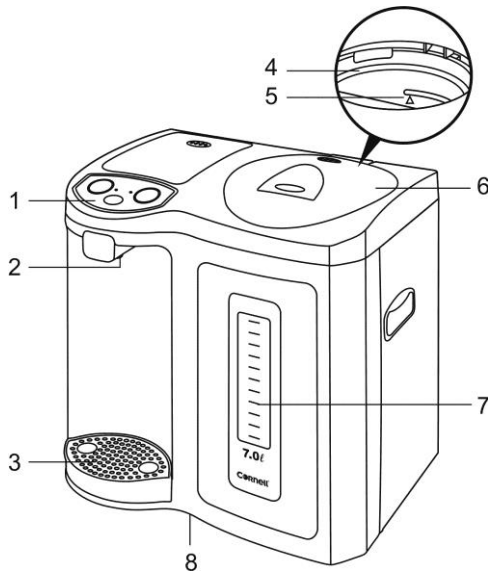
CWD-E70CR

SAFETY REGULATION

- Read all the instruction carefully. Keep this user manual for future reference.
- This appliance is not intended for use by persons (including children) with reduced physical, sensory or mental capabilities, or lack of experience and knowledge, unless they have been given supervision or instruction concerning the use of appliance by a person responsible for their safety.
- Use only original accessories supplied.
- The current voltage which indicates on the plate must correspond to your local voltage.
- The appliance should be used only on condition that the type of power supply corresponds to the marking label. Otherwise, it will not work or even be damaged.
- Never use the appliance inside the bath, under a shower or over a wash basin full of water.
- If the appliance falls into water, pull the power plug out from the power socket immediately.
- Never use the appliance unless it is fully assembled.
- Do not overload outlets or extension cords. It can result in fire or electric shock.
- Do not use the appliance if the power supply cord or plug has been damaged.
- Unplug from outlet when not in use, before putting on or taking off parts, and before cleaning.
- The use of accessory attachments not recommended by the appliance manufacturer may cause injuries.

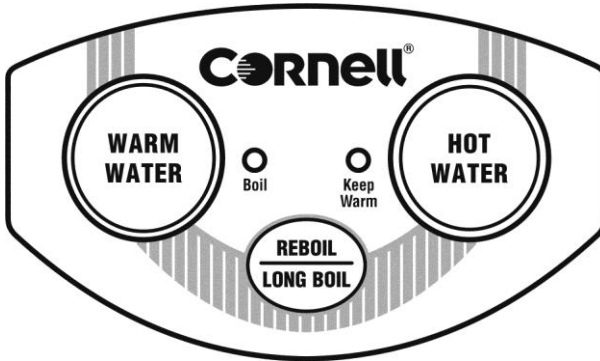
- Do not immerse the cord, plug or appliance in water or other types of liquid and do not pour water onto it to avoid from fire, electrical shock or personal injury.
- To protect against risk of electrical shock, do not force any foreign objects such as pins and wires into any openings.

PARTS IDENTIFICATION



- | | |
|------------------------------|----------------------|
| 1. Control Panel | 5. Water Full Mark |
| 2. Water Outlet | 6. Lid Cover |
| 3. Drip Tray | 7. Water Level Gauge |
| 4. Stainless Steel Inner Pot | 8. Water Stopper |

CONTROL PANEL



SPECIFICATION

Model	CWD-E70CR
Voltage	220-240V~
Frequency	50-60Hz
Power	750-890W
Capacity	7.0L

OPERATING INSTRUCTIONS

- Add the water to “FULL” mark; Do not exceed the “MAX” mark or below the “MIN” mark.
- Close the top cover after adding water. Plug the power cord to the appliance and insert the plug into the main power supply and switch it on. The BOILING indicator light will illuminate.

- When boiling has completed, it will automatically switch to “Keep Warm” function and green indicator will light up. Boiling time will depend on the amount of water to be boiled. It normally takes 30 minutes to boil a full pot of water.
- When in keep warm function, the pump will automatically pump the boiled water into the pre-cooling tank.
- Press the REBOIL button to re-boil the water if necessary.
- During boiling process, you will not get hot water dispensing even if the hot water button is pressed.
- Dispensing Warm Water is allowed during boiling process.
- Add water immediately if the water level is lower than the water dispensable level to prevent dry-boiling.
- In case of power is cut off due to empty boiling, please unplug the power supply. Fill water into the inner pot to cool down the inner pot, and then resume the power.

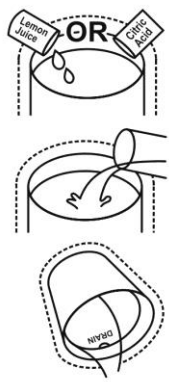
CARE AND CLEANING

- Before cleaning, unplug the power cord, wait until the appliance is at room temperature then only drain the residue water in the pre-cooling tank (internal) by pulling out the water stopper at the bottom.
- Pour away the remaining hot water in the hot water tank .
- Wipe the outer pot with clean damp cloth. Do not flush the whole dispenser with water.
- Do not clean with abrasive detergent, gasoline or turpentine.


- Wipe the inner pot with clean damp cloth or with soft sponge.
- Do not use any brush with hard bristles or with abrasive detergent.
- Remove dirt from the outer body with damp cloth.
- After using for some time, the impurities in water will accumulate and pollute the inner pot.
- To clean the inner, it is recommended to use citric acid.

INNER POT CLEANING METHOD

Clean when scale has adhered / every 2 or 3 month



1. Put lemon juice (extract from two lemon) or 3-4g citric acid into the inner pot.
2. Add water to maximum level, mix up lemon juice / citric acid and water. Close lid.
3. Connect the plug after mixing, wait changes from boiling to keep warm.
4. Dispense some water, then unplug and remove lid, empty hot water via "DRAIN" mark.
5. Refill with water and boil it to remove the smell of lemon juice / citric acid.

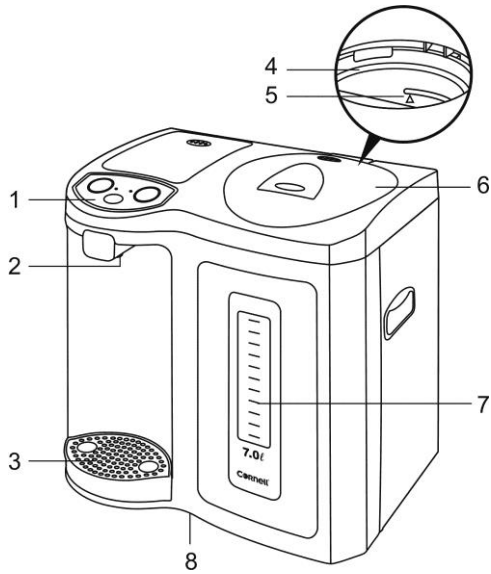


This marking indicates that this product should not be disposed with other household wastes throughout the nation. To prevent possible harm to the environment or human health from uncontrolled waste disposal, recycle it responsibly to promote the sustainable reuse of material resources. To return your used device, please use the return and collection systems or contact the retailer where the product was purchased. They can take this product for environmental safe recycling.

安全规则

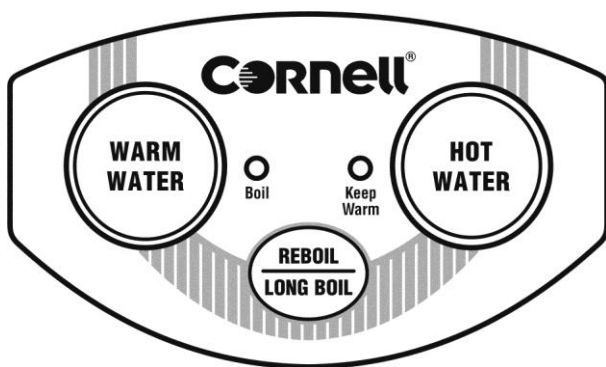
- 仔细阅读所有的说明提示。保留此用户手册以供将来参考。
- 本产品不打算使用的人（包括儿童），缺乏身体、感觉或精神能力的人，或缺乏经验和知识的人，除非他们已被给予有关使用由一个人对其安全责任的监督或指示。
- 只使用原装配件供应。
- 在板上指示的电流电压必须与您的本地电压相对应。
- 仅在功率类型对应于标签的情况下使用该设备。否则，它不会工作，甚至被损坏。
- 不要在里面洗澡、淋浴或在满是水的洗脸盘下面使用电器。
- 如果电器掉入水中，立刻从电源插座中拔出电源插头。
- 除非完全组装好，否则永远不要使用该电器。
- 不要过载插座或延长线。它可能会导致火灾或触电。
- 如果电源线或插头已损坏，请勿使用本产品。
- 当不使用的時候請從插座拔掉插頭，穿上或取下零件並在清洗前也要拔掉插頭。
- 使用不推荐的配件制造商的配件可能会造成伤害。
- 不要将电源线、插头或部件浸入水中或其他类型的液体中，也不要将水拨到它上，以避免火灾、电击或人身伤害。
- 为了防止触电危险，不要强迫任何外来物体如针和电线进入任何开口。

零件识别



- | | |
|----------|----------|
| 1. 控制面板 | 5. 满水位标示 |
| 2. 出水口 | 6. 上盖罩 |
| 3. 接水盘 | 7. 水尺 |
| 4. 不锈钢内胆 | 8. 隔水塞 |

控制面板



规格表

型号	CWD-E70CR
电压	220-240V~
频率	50-60Hz
功率	750-890W
容量	7.0L

操作说明

- 将水添加到“满”标示，不要超过“最大”标示或低于“最小”标记。
- 加水后关闭上盖，将电源线插入到设备上，并将插头插入主设备中。
- 电源供上和打开开关，煮水指示灯将照亮。

- 当沸腾完成时，它会自动切换到“保温”功能，绿色指示灯将亮起。沸腾时间将取决于要煮的水的量，煮一壶水通常需要 30 分钟。
- 当在保持保温功能时，电泵会自动将开水泵入预冷却槽内。
- 如果有必要按下“再沸腾”按钮重新煮水。
- 在煮水的过程中，即使热水按钮被按下，你也不会得到热水。
- 在煮水过程中允许得到温水。
- 如果水位低于水可有可无的水平以防止干烧请立刻加水。
- 万一电源被切断由于空沸腾，请拔掉电源。将水倒入内胆，冷却内胆，然后恢复电源。

护理和清洁

在清洗之前，拔掉电源线，等到设备在室温下，然后在底部拔出挡水器，只消耗预冷箱（内部）的残余水。

- 把热水罐里剩下的热水斟出。
- 用干净的湿布擦拭外壳，不要用水冲洗整个饮水机。
- 不使用磨料的清洁剂清洁，汽油或松节油。
- 用干净的湿布或软海绵擦拭内胆。
- 不要使用任何硬刷毛或具有研磨剂的刷子。
- 用潮湿的布清除外壳上的污垢。
- 在使用一段时间后，水中的杂质会积累和污染内胆。
- 清洁内胆，建议使用柠檬酸。

内胆清洁方法（每使用 2 或 3 个月请坚持一次）

1. 把柠檬汁（两个柠檬的提取物）或 3-4 克柠檬酸放入内胆
2. 加水到最大水位量，水与柠檬汁/柠檬酸混合，关闭上盖。
3. 混合后将插头插上，等待从沸腾到保温的变化。
4. 然后拔下并拆下上盖，分配一些水通过“排水”标志。
5. 重新装满水，煮沸以消除柠檬汁/柠檬酸的气味。



该标记表明，在全国各地该产品不应与其他家庭废物处置，以防止可能造成的危害环境或人类健康的不受控制的废物处置，负责任地回收它促进物质资源的可持续利用。返回您使用的设备，请使用退货和收集系统或联系的零售商在该产品购买。他们可以采取这种产品对环境的安全回收。

