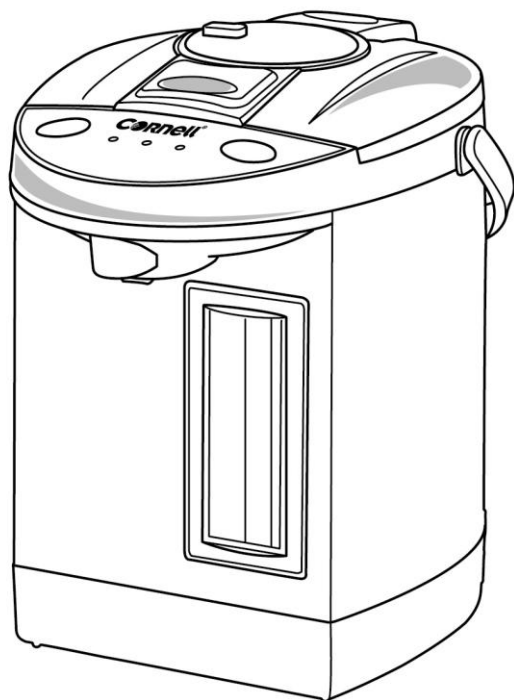


CORNELL®

User Manual



**Thermo
Pot**

CTP-E35P

CTP-E40P

CTP-E50P

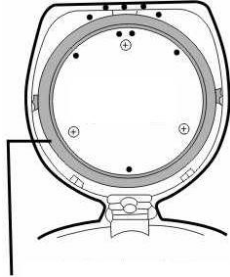
General Safety Precautions

1. Thank you for your purchase of this appliance. Read all instructions carefully. Keep this User Manual for future reference.
2. Always switch off and unplug the appliance from the electrical outlet BEFORE cleaning and also when not in use.
3. **Never immerse the appliance, power cord and plug into water or any other types of liquid.** Please refer to the section on “Cleaning and Maintenance”.
4. If it is a detachable power cord, always connect the power cord to the appliance BEFORE plugging it into the electrical outlet. To disconnect the appliance, switch off the power on the electrical outlet before removing the power plug.
5. Close supervision is necessary when operating the appliance near children. Ensure that the power cord does not hang over the work surface.
6. Do not operate the appliance with a damaged power cord set or plug. Any repairs should always be carried out by an authorized service centre.
7. Do not use this appliance for any purposes other than its intended use. This appliance is intended for household use only.
8. Do not use the appliance in the outdoors or in a damp area.
9. Use of accessories or equipment not supplied by the manufacturer may result in damages or malfunction on the appliance or injuries to the user.
10. Always place the appliance on a flat sturdy surface.
11. Do not place the appliance on or near a hot gas or electric burner, a heated oven or near to easily flammable materials.
12. This appliance should not be used by people who are physically or mentally impaired (including children) unless proper guidance is provided during operation.

Safety Precautions for Thermo Pot

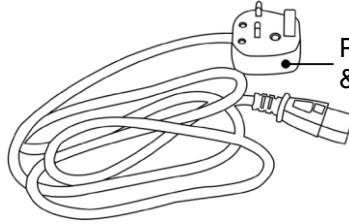
1. Water should not exceed the FULL marking stated inside the pot.
2. When unplugging the thermo pot from the power socket, pull by the power plug and not by the power cord as this will damage the cord set.
3. Do not immerse the thermo pot into water. Avoid splashing water on it.
4. Always keep the steam vent clear of any obstructions. It is hot especially during the boiling process so it is important to keep hands away from it at all times.
5. The thermo pot is ONLY for boiling water and not for boiling any other beverages such as tea etc. You may stain or damage the inner pot if this instruction is not followed.
6. Do not place the thermo pot too close to walls, furniture or other electrical appliances. The steam and heat generated may affect these items after prolonged exposure.
7. Close the lid gently. To ensure lid is shut securely, press it downwards until a “click” is heard. This is to ensure boiling water does not spill out in case the thermo pot topples over.
8. Clean the thermo pot only when it is completely cooled to room temperature.
9. Do not connect or disconnect the power plug with wet hands. This may result in electric shocks.
10. The lighted water level indicator will assist in filling of water so that the level is NOT above the FULL marking on the inner pot.

Parts Identification

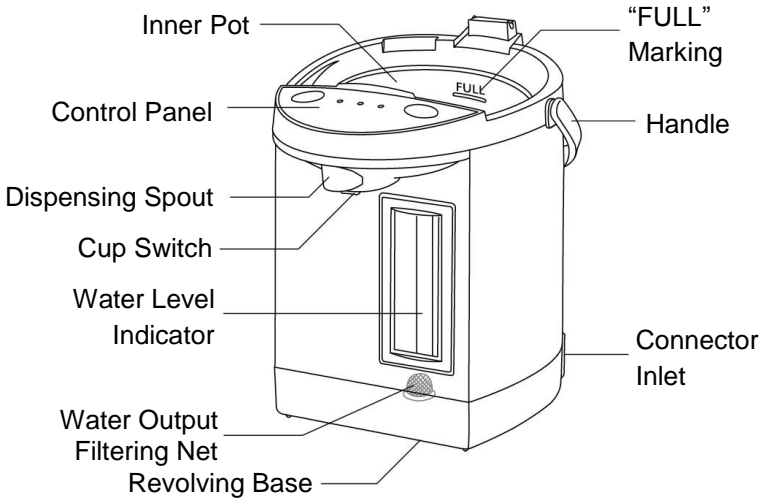
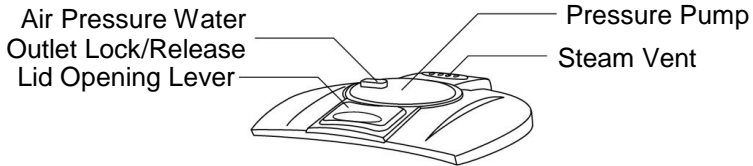


Seal Ring

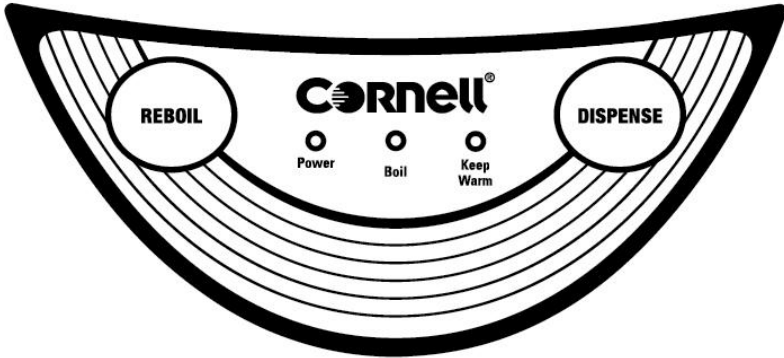
Caution: For hygiene purpose, it is advisable to change this every 2 years.



Power Plug & Cord



Control Panel Display



Specifications

Model	CTP-E35P	CTP-E40P	CTP-E50P
Capacity	3.3L	4.0L	5.0L
Rated Voltage	220-240V~	220-240V~	220-240V~
Rated Power	700-800W	700-800W	700-800W
Frequency	50/60Hz	50/60Hz	50/60Hz

How to Use

Opening Top Lid

- Push down front edge of LID OPENING LEVER located at the lid. Press and lift up the lid opening lever to open the top lid. Water may still be hot and hot vapor may escape. (Figure 1)

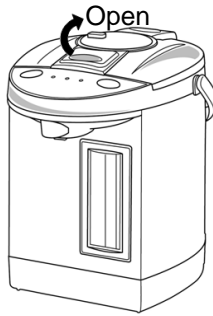


Figure 1

Removing & Reinstalling Top Lid

- Lift the top lid to an angle at about 45°, press the UNLOCK button located at the rear of the top cover and pull upwards at 45°. (Figure 2)
- Align the metal pivot shaft to the hinge of the lid and press the UNLOCK button again to allow the lid back into place. (Figure 3)

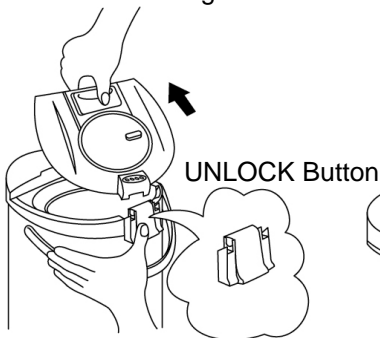


Figure 2

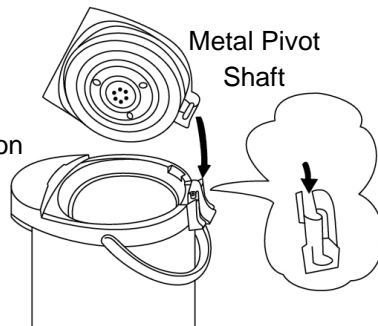


Figure 3

When Using for the First Time

- Remove all the plastic and cardboard packaging from the thermo pot.
- Ensure that the local mains voltage is same as stated on the thermo pot.
- Never use the thermo pot near to the sink, bathtub, shower or any other places that may contain water.
- Remove any protective films or stickers from the thermo pot before using it for the first time.
- Ensure that the power switch is at the “OFF” position.
- Important note: We offer the assurance that all PP and silicon materials used in the construction of the thermo pot are food grade materials and are not harmful to humans. For any new thermo pot, however, it is normal that an unpleasant odor may be detected from the water that has just being boiled. This will gradually disappear after about 2 to 3 boiling. To assist in eliminating this odor and also to remove any possible manufacturing dust, please discard the first and second boiling of water from the thermo pot.

Operating Procedure

1. Open and lift up the lid. Carry the thermo pot by holding the handle to the water tap to fill it up. Water may also be filled using a kettle or jug.
2. Plug the power cord to the connector inlet of the thermo pot.
3. Connect the power plug to the Mains electrical outlet and switch on.
4. When boiling is completed, the “Keep Warm” light will illuminate.
5. Press the “Dispense” button or manually press the pressure pump to dispense the water.
6. Press the “ Reboil” button to boil the water again when it has been kept warm for too long.

7. The “LOCK/UNLOCK” function can be activated by pushing the Air Pressure Water Outlet Lock/Release switch to “LOCK” or “UNLOCK” indication, respectively.
8. **IMPORTANT:** Please immediately add in water if the water level is lower than the minimum water supply mark. Otherwise it may cause dry-boiling for the inner pot.

If an empty pot is overheated, the Overheat Safety Feature (which prevents an empty pot from overheating) will be activated. The power supply will be cut off automatically to prevent damage to the thermo pot and other dangers. **WARNING:** If an empty pot is dry-boiled, you may notice a bad odor. The inner pot may be discolored and the thermal fuses can be damaged.

9. To prevent an empty pot from dry-boiling,
 - **NEVER** turn on the power without pouring water into the inner pot first.
 - **NEVER** boil water if the water inside the inner pot is below the minimum water level mark.
 - **NEVER** leave the lid open after adding water into the container to boil. Close immediately.

Cleaning and Maintenance

- Always unplug the thermo pot from the power socket prior to cleaning.
- Do not use abrasive sponge, scouring pads or stiff brush to clean the thermo pot. The inner pot and top lid may be cleaned with mild soapy water using a sponge or soft cloth.
- Occasionally wipe the exterior surfaces with a damp cloth. Do not flush the whole thermo pot with water.
- In an event of the thermo pot malfunctioning, it should be taken to the nearest authorized service centre.
- Do not clean with abrasive cleaning agents such as detergent, gasoline or turpentine.

- Please replace the seal ring if it is not soft or there's crack and steam leaking from the gap of the top lid.
- For proper storage, always place the thermo pot in a low humidity environment.

Cleaning the Inner Pot

- Wipe with a clean damp cloth or with a soft sponge.
- Do not use any brush with hard bristles or with abrasive detergent.

Tips:

- Fill the inner pot with lemon juice and water. Boil it for 30 minutes. Gently wipe the inner pot with soft wet sponge and drain it out.

