

CORnell®

User Manual



CORnell®

Marketed by:

CORNELL SALES & SERVICE SDN BHD (604369-P)

Lot 11B, Jalan 223, Section 51A,
46100 Petaling Jaya,
Selangor Darul Ehsan, Malaysia.

InfoLine: 1-800-881-770
www.cornellappliances.com



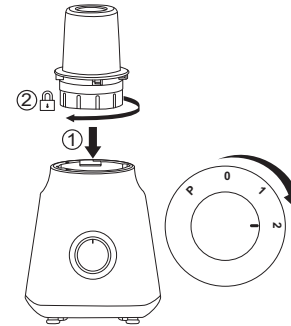
Blender

CBL-S250M

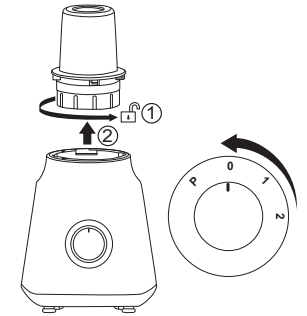
CONTENTS

3	IMPORTANT SAFEGUARDS
4	PARTS IDENTIFICATION
4	SPECIFICATIONS
5	IMPORTANT NOTES
5-7	OPERATING INSTRUCTIONS
7	SAFETY POWER CUT-OFF FEATURE & SAFETY BUILT-IN SWITCH

OPERATING INSTRUCTIONS



Assemble the blender jar with the food onto the main body. Plug in power plug into power supply and adjust the control knob according to desired speed.



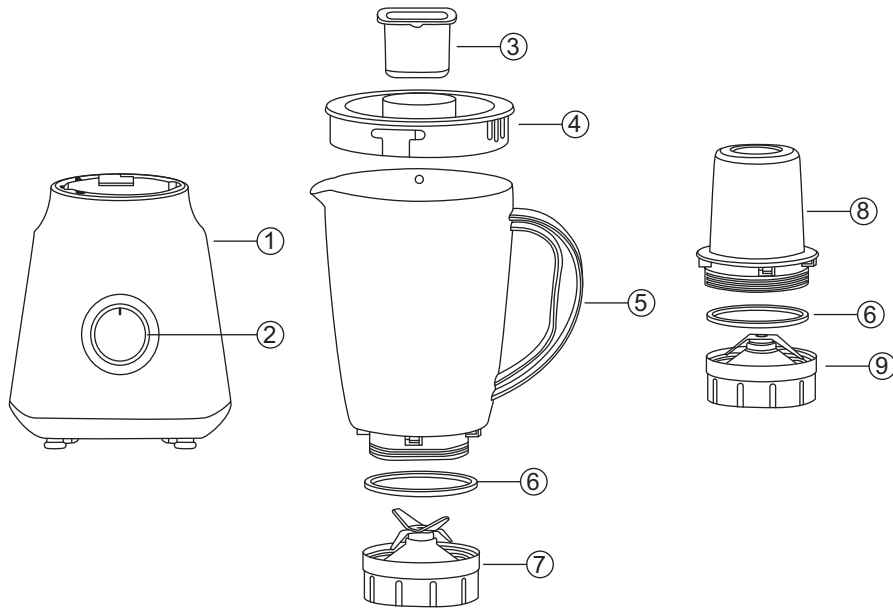
After blending has completed, adjust the control knob switch to '0' position. Remove power plug from power supply. Detach the blender jar according to diagram.

SAFETY POWER CUT-OFF FEATURE & SAFETY BUILT-IN SWITCH

- This blender is fitted with a safety power cut-off feature which safeguards against excessive loads. In case of overloading, the blender will automatically activate the safety power cut-off protection and operation will come to a stop. If this occurs, set the knob to OFF position, unplug the appliance and let it cool down to room temperature before attempting to operate it again.
- The Safety built-in switch ensures that the appliance would only operate if the blender jar is assembled correctly with main body.

PARTS IDENTIFICATION

1. Main body
2. Control knob
3. Measuring cup
4. Lid
5. Blender jar
6. Silicone sealing
7. Chopping blades
8. Grinding cup
9. Grinder unit



SPECIFICATIONS

MODEL NO.	CBL-S250M
RATED VOLTAGE / FREQUENCY	220-240V~ 50/60Hz
RATED WATTAGE	300-350W
CAPACITY	1250ml

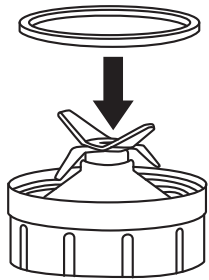
IMPORTANT NOTES

- Never fill the blender jar with ingredients hotter than 65 °C.
- Always ensure the lid is correctly assembled on the jar and the measuring cup is inserted properly in the lid before powering on the appliance.
- Do not exceed the maximum indicator line of the blender jar when filling water and other liquids.
- Always turn off the appliance and remove the power cord from the power supply after every use.
- After blending has completed, allow hot foods to adjust to the room temperature before serving.
- Always keep the blender clean and dry after using.

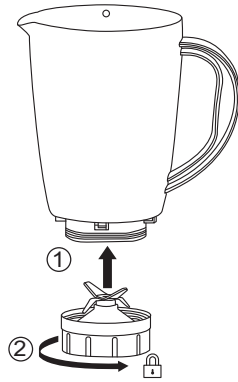
OPERATING INSTRUCTIONS

- Please refer to the illustrations.
- Ensure ingredients sizes do not exceed 2cmX2cmX2cm.
- **OPERATION TIME:** Do not operate the blender more than 1 minute consecutively. Leave the appliance to cool for 10 minutes before every re-use.
- **CAUTION:** If the blender gets stuck, cease operating blender immediately and remove the obstruction.
- **GRINDING TIME:** Do not operate for more than 25 seconds each time. Ensure coffee beans do not exceed the 30-80g. "Max" mark on the grinding cup. Allow a minute interval before successive operating the blender again in order to prevent the appliance overheating.
- **CAUTION:**
 - a) If the grinding blade is operating without grinding any food, power off and unplug from the power supply, disassemble the grinding cup, shake the food and begin the grinding function again.
 - b) After grinding is finished, do not remove the grinding cup until the motor stops.
- Use the following food test: carrot size less than 1.5cm x 1.5cm x 1.5cm with water according to the rate (carrot 2:3 water) together. Ensure the total capacity does not exceed 1.5L.
- Pour approx. 400-700ml water into the jar. Ensure the lid covers the jar properly and use function 'P' for a few seconds.

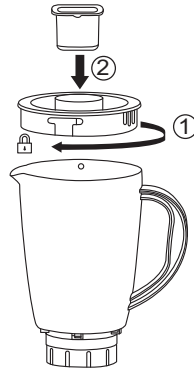
OPERATING INSTRUCTIONS



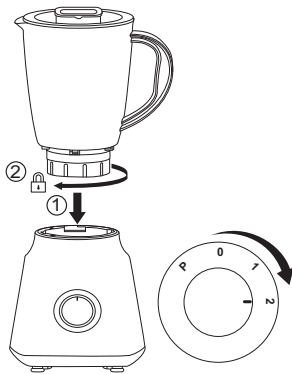
Place the Silicone sealing onto the blender units according to the diagram (Or remove for the cleaning. Ex-factory goods have been fitted to the blender units.)



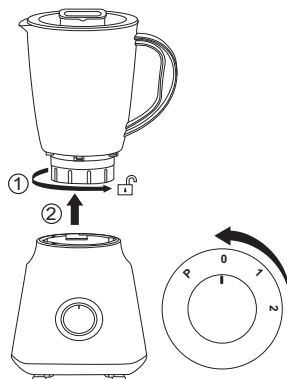
Fit the blender blade unit onto the blender jar according to the diagram. Assemble the lid onto the jar. Insert the measuring cup properly into the food chute. (Note: the size of the mixing ingredients should be less than 2cm*2cm*2cm).



* Assemble the lid on the jar
* Insert the measuring cup properly into the lid



Assemble the blender jar with the food onto the main body. Plug in power plug into power supply and adjust the control knob according to desired speed.



After blending has completed, adjust the control knob switch to '0' position. Remove power plug from power supply. Detach the blender jar according to diagram.



Place dry grinding food into the grinding cup. Assemble the grinder unit according to the diagram.

IMPORTANT SAFEGUARDS

READ ALL INSTRUCTIONS CAREFULLY BEFORE USE

- Before using the appliance, ensure that the power supply voltage corresponds to the voltage indicated on the rating plate at the bottom of the appliance.
- In order to avoid electric shocks and other personal injuries, do not immerse the appliance or other components such as power cord, power plug and motor base into water or other liquids.
- This appliance is intended for household use only. Any other use is considered improper and thus dangerous.
- Never allow this appliance to be used by persons (including children) with psychological, physical or sensory impairments or with insufficient knowledge, unless closely supervised and instructed by someone responsible for their safety. Always supervise children and ensure they do not play with the appliance at all times.
- Never leave the appliance unattended while it is in operation.
- Never place hands into the blender jar when it is plugged into the power supply.
- Always operate the blender with the cover in place.
- Do not operate any appliance with a damaged cord or plug, or after the appliance malfunctions, or is dropped or damaged in any manner. Return appliance to nearest Customer Service Center (see Warranty for details) for examination, repair, and/or mechanical or electrical adjustment.
- Always operate the blender with the cover in place.
- Do not operate any appliance with a damaged cord or plug, or after the appliance malfunctions, or is dropped or damaged in any manner. Return appliance to nearest Customer Service Center (see Warranty for details) for examination, repair, and/or mechanical or electrical adjustment.
- Do not attempt to disassemble or modify the appliance or repair the power cord in any event of a malfunction. If it is damaged or needs replacing, contact your nearest Customer Service Centre or any similarly qualified technician in order to avoid a hazard.
- Always switch off and unplug appliance from the power supply when not in use, before attaching or detaching moving parts or accessories, and before cleaning or removing contents from the blender jar.
- **BLADES ARE VERY SHARP. HANDLE CAREFULLY.** Exercise caution when handling the blender's sharp cutting blades, especially when emptying the bowl and during cleaning. Store out of children's reach.
- **CAUTION:** Ensure that the blender is switched off before removing it from the stand.
- Exercise caution when hot liquid is poured into the blender as hot steam can escape from the blender jar.